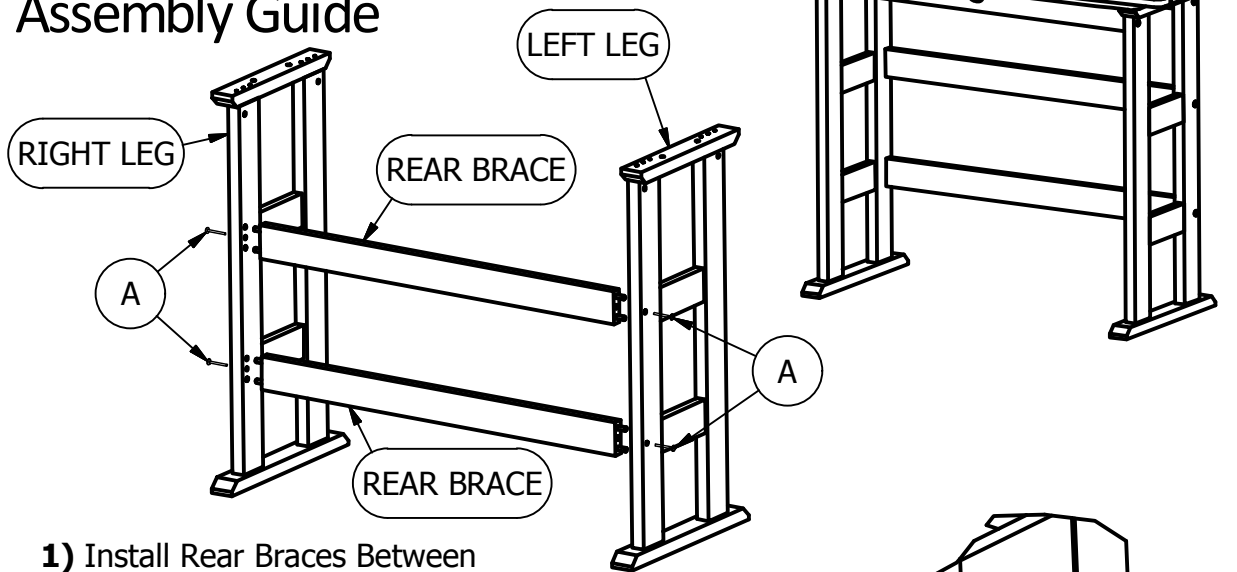
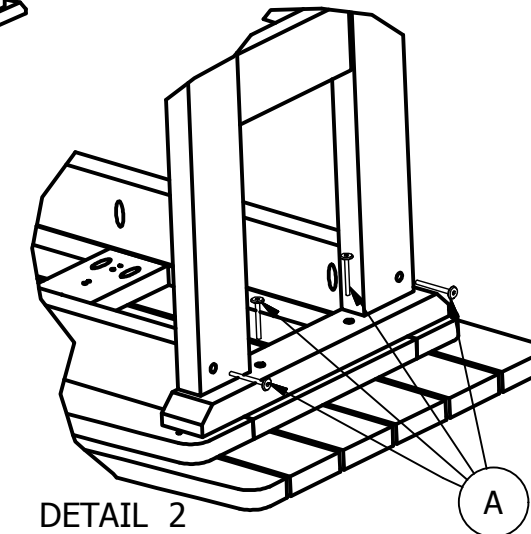
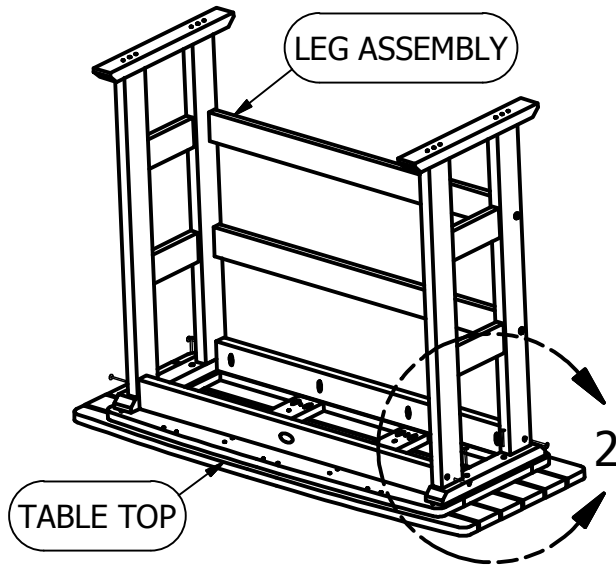


# Balcony Bar Table

## Assembly Guide



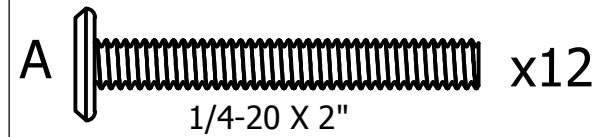
- 1) Install Rear Braces Between Right Leg & Left Leg using (2) "A" Bolts on Each Side as Shown.



DETAIL 2

- 2) Turn Leg Assembly Over and Set on Table Top as Shown. Attach Leg Assembly to One Side of Table Top Using (4) "A" Bolts. Repeat on Other Side.

### HARDWARE



### IMPORTANT!

DO NOT fully tighten the bolts until all bolts are started. Once all bolts are inserted, go back & tighten all the bolts.

Retain these instructions for future reference

### INCLUDED TOOLS

